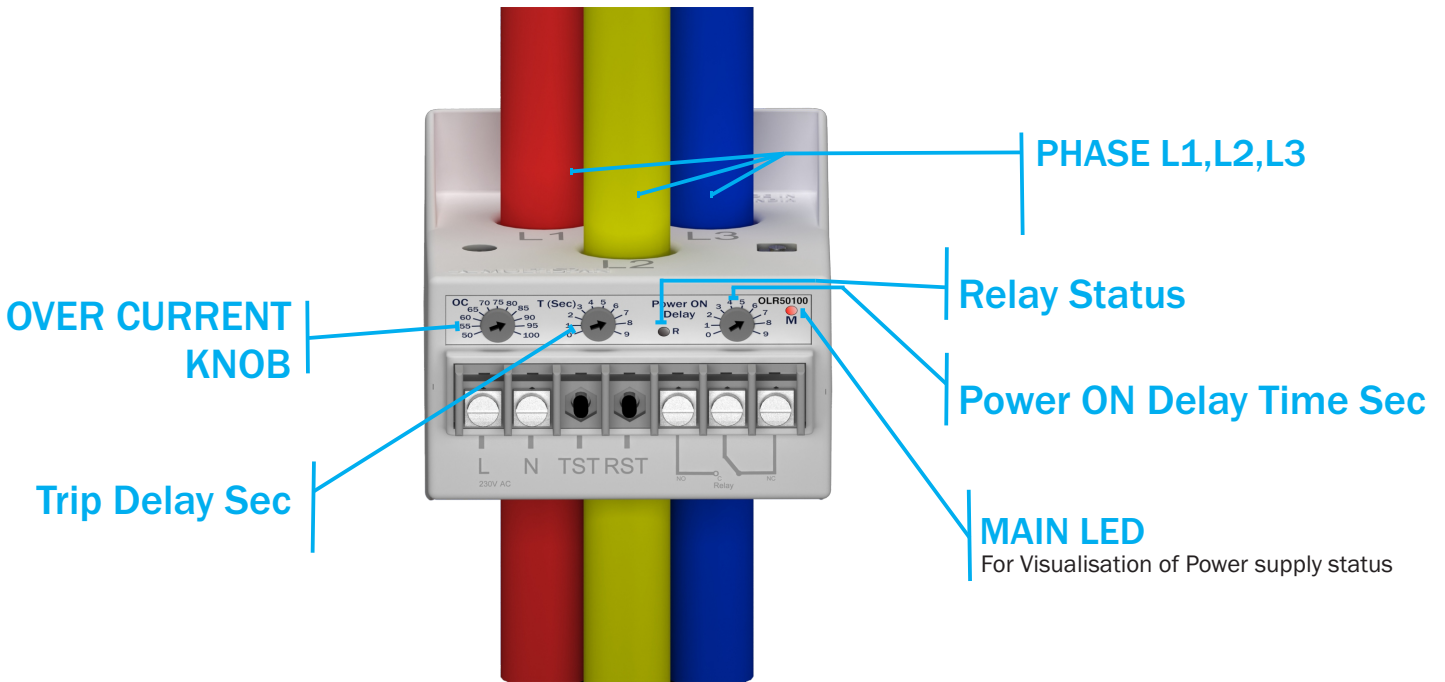


| | |
|--------------|---------------------------|
| OLR | Over Current Relay |
| Model | OLR 50 to 100 Amp |



| | |
|--|-----------------------------------------------------------------------------------------------------------------------------------------------------------------------------------------------------------------------------|
| | Power Supply : 230V AC,50Hz |
| | Input Current : 50 to 100A AC |
| | Output: 1 Relay NO/C/NC ,5A 230V AC,30V DC Resistive load |
| | Tripping Parameters : Over Current, SPP Delay Time : Power ON Delay 0 To 9 Sec Setable Initial Time Delay 5 Sec Reset Mode Manually Trip Time : Trip Time Delay 0 To 9 Sec Setable |
| | Keys : Test, Reset |

KEY OPERATION

| FUNCTION | KEY PRESS |
|----------------------------------------------------|-----------|
| OPERATION MODE | |
| To Enter in Test Mode | For 5 sec |
| To Reset the Relay Contact Manually After Tripping | For 1 sec |

NOTE :

- To Configure fault type 'NO' or 'NC'**
- 1) Press reset key then power on instrument , Reset key pressed continuously up to 5 Second.
 - 2) If front relay indication is ' ON 'Means relay is 'NC' in healthy condition.
 - 3) One can change by pressing 'TEST' key , If front relay indication is 'OFF' means relay is 'NO' in healthy condition.

Terminal Connection



Power Supply :

230V AC

Input Current:

50 to 100A AC

Output :

1 Relay C/NO/NC ,
5A, 230V AC (Res.)

Delay Time :

Power ON Delay: Set
Initial Time Delay: 5 Sec
Reset Mode: Manually
Trip Delay: 0 to 9 Sec

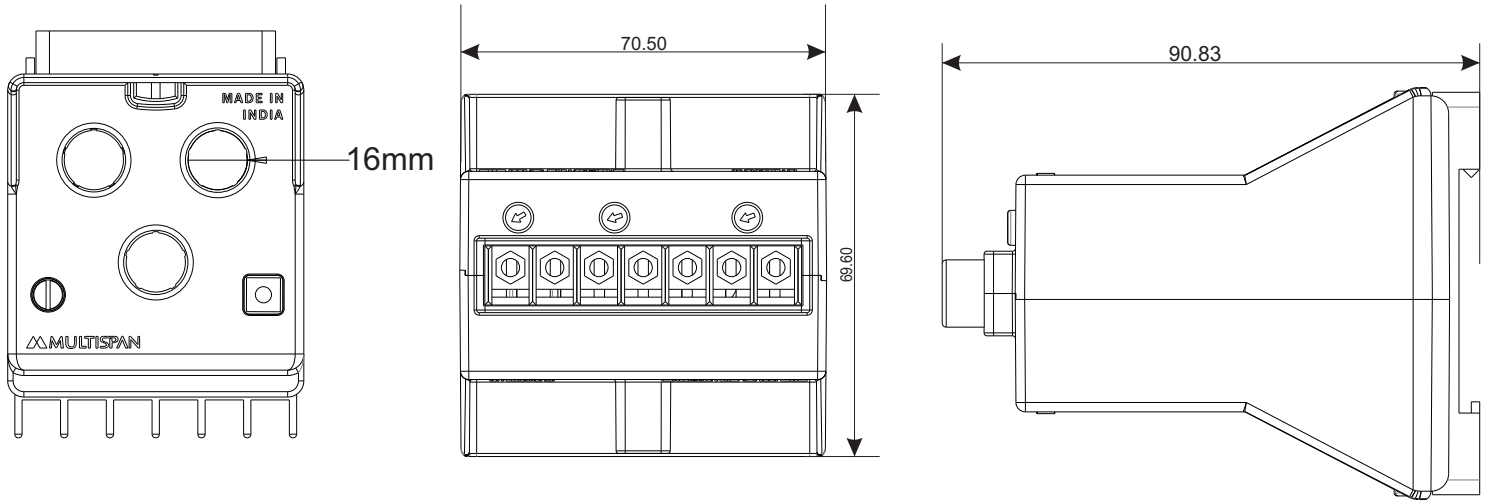
LED Indication:

M: Main Supply
R: Relay Status

Function :

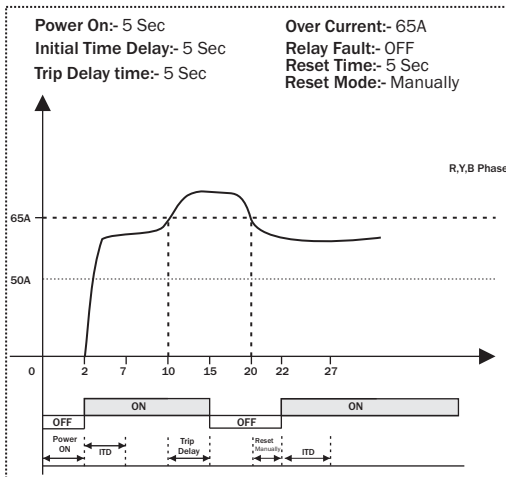
Over Current
SPP

Dimension

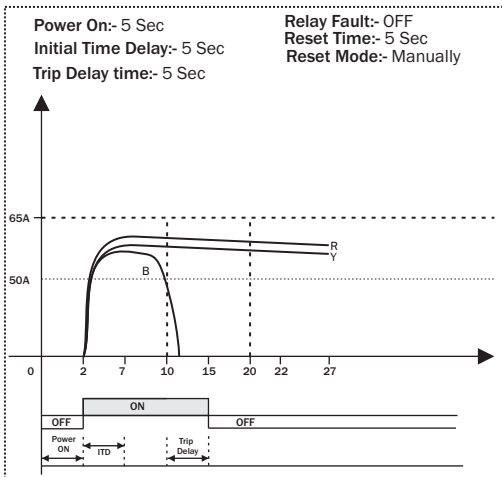


Control Function

Over Current



Single Phase Prevention (SPP)



Multispan reserves the right to change specifications without prior notice. Printing and typographical errors reserved. Product improvement and upgrade is a constant procedure.

Multispan Control Instruments Pvt. Ltd.

72/B, Phase 1, GIDC Estate, Vatva, Ahmedabad-382445, Gujarat, India.

+91-9978991474/9978991476/9978991482

Service@multispanindia.com

Follow us



www.multispanindia.com